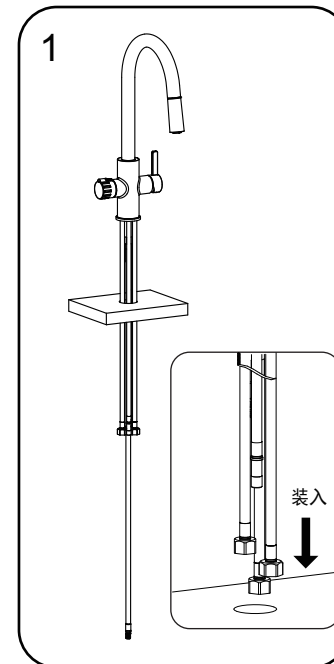
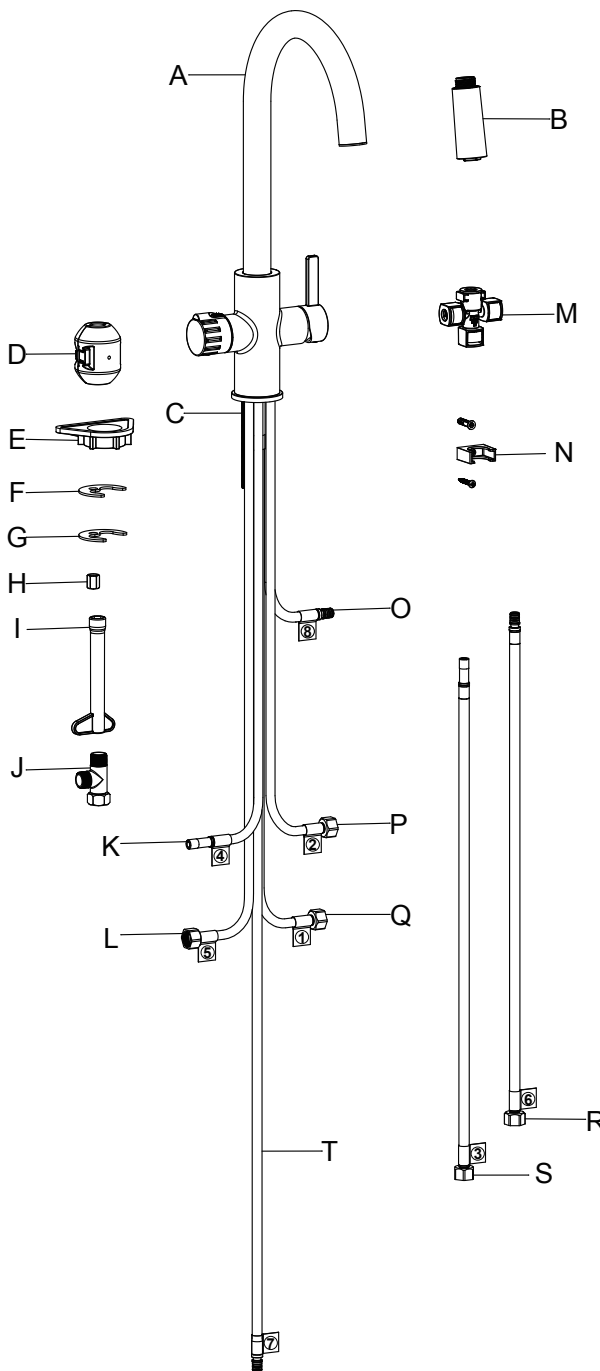


# 4-1 Instant Hot Water and Drink Water Faucet

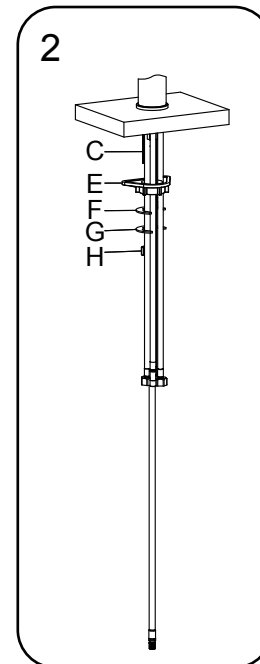
## USER MANUAL



NO.	Description	QTY
A	Faucet	1
B	Spray Head	1
C	Screw Stem	1
D	CounterWeight	1
E	Triangle Cushion	1
F	Rubber Washer	1
G	Metal Washer	1
H	Mounting Nut	1
I	Wrench	1
J	Three-way Connector	1
K	Drinking Water outlet Hose	1
L	Boiling Water Supply Hose	1
M	Three-way Quick Connector	1
N	Wall Mount with Screw	1
O	Outlet Hose	1
P	Hot Supply Hose	1
Q	Cold Supply Hose	1
R	Boiled Water Outlet Hose	1
S	Drinking Water Supply Hose	1
T	Pull-down Hose	1

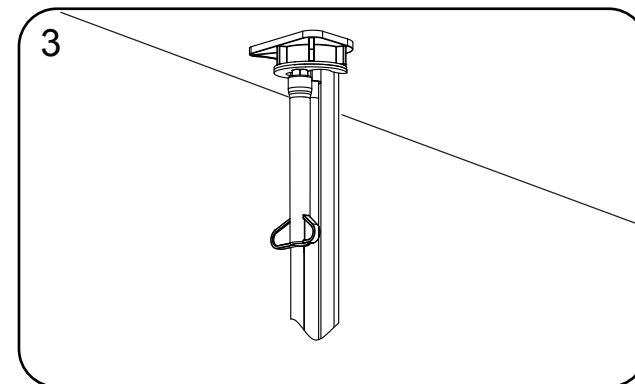


1. Taking the faucet from packaging box and place six hoses into mounting hole one by one. See Fig.1

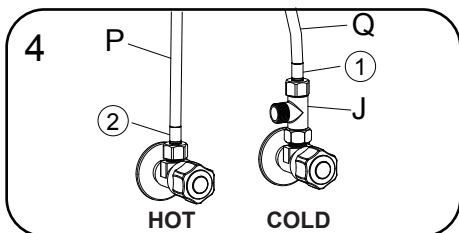
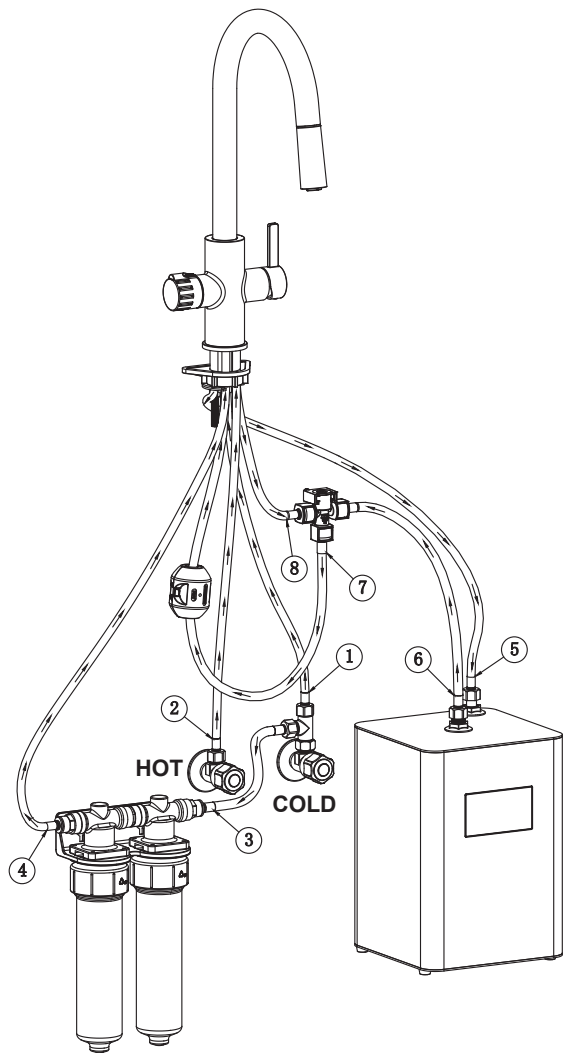


2. Placing six hoses through the triangle cushion (E) firstly, and then using the mounting nut (H) to fix rubber washer (F) and metal washer (G) on screw stem (C). See Fig.2

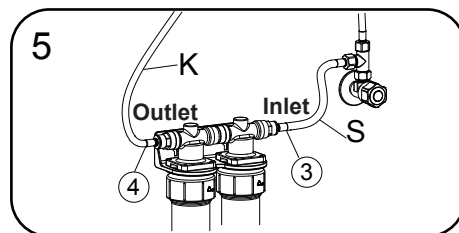
**Please note: Pass the 3 hoses with nuts FIRST and then pass 3 hoses without nuts to facilitate installation.**



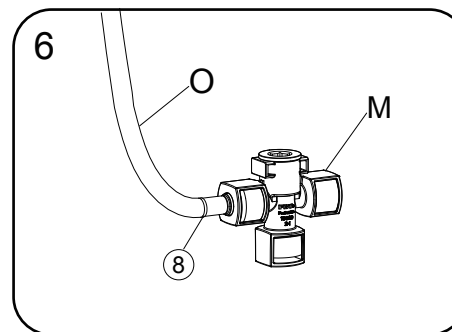
3. Adjusting the faucet at correct direction, and tighten the mounting nut (H) with wrench (I). See Fig.3



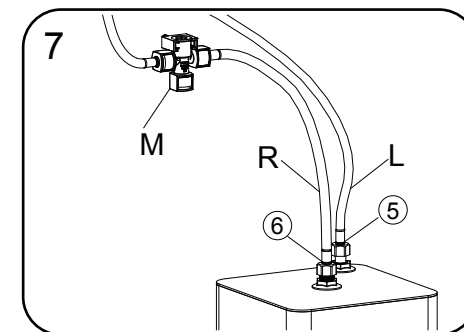
4. Connecting the three-way connector (J) to the cold angle valve firstly. And then connecting the cold supply hose (Q) (with label ①/Blue color) to one side of three-way connector (J), and hand tight them firmly. Working same as cold supply hose, connecting the hose supply hose (P) (with label ②/orange color) to other side of three-way connector (J). See Fig.4



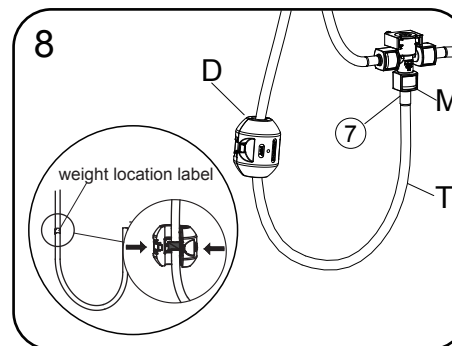
5. Connecting one end of drinking water supply hose (S) (with lable ③/blue color) to three-way connector and fitting the other end of drinking water supply hose into filter housing inlet. Fitting the Drinking water outlet hose (K) (with label ④/green color) into filter housing outlet. See Fig.5



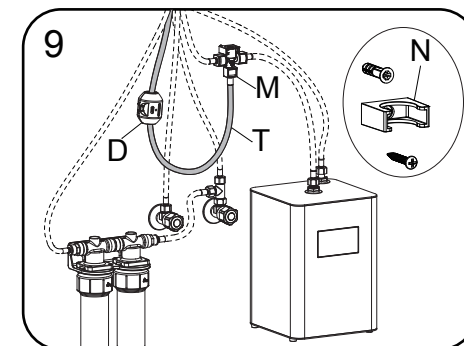
6. Connecting the three-way quick connector (M) to outlet hose (O) (with label ⑧/white color). See Fig.6



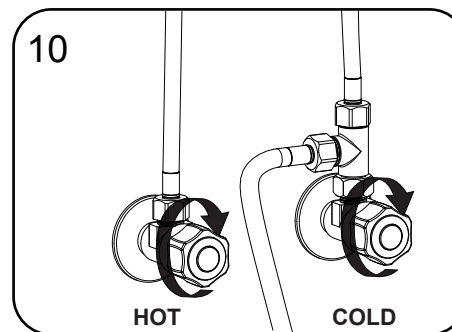
7. Connecting boiling water supply hose (L) (with label ⑤/green color) to the inlet of boiling water tank. Connecting one end of Boiled water outlet hose (R) (with label ⑥/red color) to outlet of boiling water tank, and connecting the other end of hose (R) to another adapter of three-way quick connector (M). See Fig.7



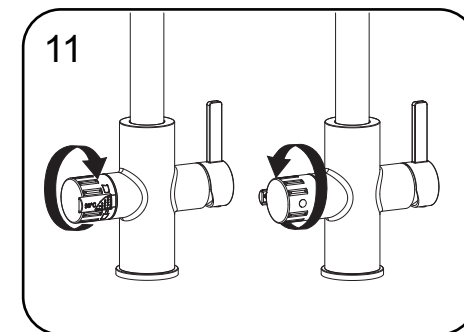
8. Attach the pull-down hose (T) (with label ⑦/white color) to the adapter at the bottom of the three-way quick connector (M). Installing the counterweight (D) on the marked position of pull-down hose. See Fig.8



9. Tidy up all hoses, so they don't get tangled up. Please leave enough space for the pull-down hose (T) with counterweight (D) to move up and down without interference to ensure the pull down function. The wall mount can be screwed to the wall, and three-way quick connector can be attached to the wall mount. See Fig.9.



10. Turn on the water supply and check the water connections for leaks. Test system for leaks, and purge system. Run a minimum of 20 litres of water through the tank to remove any air. See Fig.10.



11. Sliding out the pick on the left round handle and turning the round handle clockwise at the same time, it will comes out the boiled and filtered water. And turning the round handle counter-clockwise, it will comes out the cold and filtered water.